

SILVAIR LED Fixture Mounted Smart Controller

Overview

- Bluetooth® Mesh
- 0-100 fc Range
- DC 12V Power supply
- Zoning, Continuous, Dimming , Timmer Group control, Scene control
- Conforms with DLC NLC5 Cybersecurity Standards



Applications

Silvair's Bluetooth sensor provides automatic lighting control for a variety of indoor applications. It can be mounted on any flat surface such as ceiling fixture.

Typical applications include classrooms, private offices, conference rooms, lobbies corridors and any indoor areas.

Alternatively , the sensor can operate with a driver that has an auxiliary output (12V).

Silvair Mesh Controls: Qualified by Bluetooth for its Bluetooth Mesh 1.0.1 specification, the sensor connects to a Bluetooth mesh network and is accessed via the Silvair web portal or mobile app for configuration as well as subsequent parameter adjustments

User Interface: Using the mobile app, end users can then program length of delay time/wait time (this delay prevents the system from adjusting levels as a cloud passes by or another short environmental change happens), ramp and fade time, and other settings using these commissioning tools.

Dimming: The Bluetooth sensor transmits to a Silvair Fixture to sensor control LED drivers.

See Silvair Commissioning User Manual for more information.



Summary

Model: TL-SI-BNNN-MN-12-02

Input Voltage | Current Consumption:

DC12V | 150mA max

Mounting: Ceiling

Mounting Height: 20 Ft nominal

Measuring Range: 0-100 fc (0-1076 Lux)

Operating Temperature:

-20°C to 55°C

Storage Temperature:

-40°C to 80°C

Relative Humidity:

90-95% non-condensing at 30°C

Color: White

Warranty: 5 years

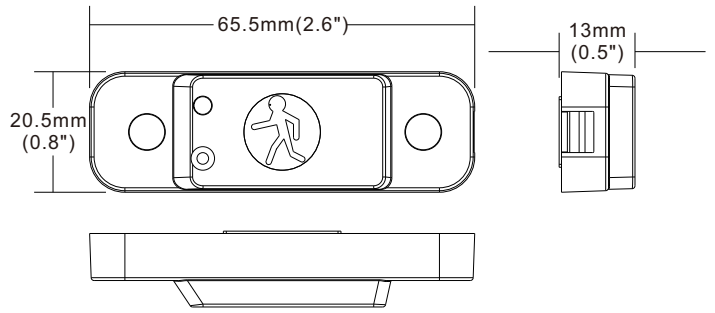
Note:

1. Bluetooth Range is highly dependent on the integration of fixtures, surrounding environment and conditions. It is recommended to conduct testing for range accuracy.

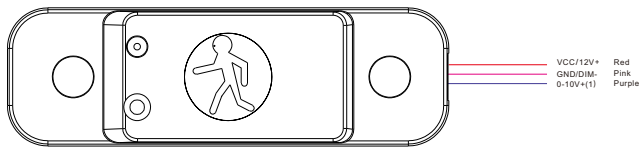
Project

Location/Type

Size



Wiring



Wiring circuit diagram

